

## General technical features

products: Atollo

design: Paolo Grasselli 2009

### Finiture

Colori



Bianco

Diffusore in polietilene, struttura in metallo.



IP31



Raccordo  
sospensione 1 cavo  
acciaio



Rosone  
sospensione 1 cavo  
acciaio



Rosone  
sospensione 3-4  
cavi acciaio

\* on demand

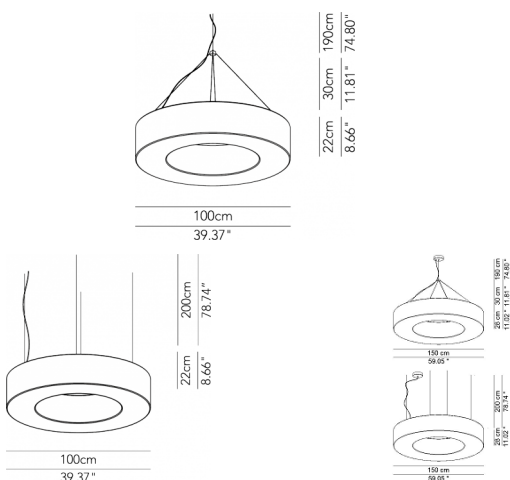
\*\* cable on measure

## Technical features

products: Atollo Sospensione  
design: Paolo Grasselli 2009



<b>Sospensione - ø 70</b>	ø 70 x 20 cm 13 Kg	lamp type 6xE27 max watt 42 W HES	ATIESO070D01
	ø 70 x 20 cm 13 Kg	lamp type 1 led strip 40 W luminous efficacy 7000 Lm light colour 3000 K DIM dali	ATIESO070D41
<b>Sospensione - ø 100</b>	ø 100 x 22 cm 30 Kg	lamp type 8xE27 max watt 42 W HES	ATIESO100D01
	ø 100 x 22 cm 30 Kg	lamp type 1 led strip 55 W luminous efficacy 9300 Lm light colour 3000 K DIM dali	ATIESO100D41
<b>Sospensione - ø 150</b>	ø 150 x h 28 cm 50 Kg	lamp type 12xE27 max watt 42 W HES	ATIESO150D01
	ø 150 x h 28 cm 50 Kg	lamp type 1 led strip 82 W luminous efficacy 14000 Lm light colour 3000 K DIM dali	ATIESO150D41



## General technical features

products: Atollo

design: Paolo Grasselli 2009

### Finiture

---

Colori



Bianco

---

Diffusore in polietilene, struttura in metallo.



IP31

---



\* on demand

Technical features

products: Atollo Applique/ plafoniera  
 design: Paolo Grasselli 2009



<b>Applique/ plafoniera - ø 70</b>	ø 70 x 28 cm 15 kg	lamp type 6xE27 max watt 28 W HES	ATIEAP070D01
	ø 70 x 28 cm 15 kg	lamp type 1 led strip 40 W luminous efficacy 7000 Lm light colour 3000 K DIM dali	ATIEAP070D41
<b>Applique/ plafoniera - ø 100</b>	ø 100 x 30 cm 33 Kg	lamp type 8xE27 max watt 28 W HES	ATIEAP100D01
	ø 100 x 30 cm 33 Kg	lamp type 1 led strip 55 W luminous efficacy 9300 Lm light colour 3000 K DIM dali	ATIEAP100D41
<b>Applique/ plafoniera - ø 150</b>	ø 150 x 36 cm 53 Kg	lamp type 12xE27 max watt 28 W HES	ATIEAP150D01
	ø 150 x 36 cm 53 Kg	lamp type 1 led strip 82 W luminous efficacy 14000 Lm light colour 3000 K DIM dali	ATIEAP150D41

